



Case Study:

# Benenden Hospital

Deployment of Mobile Computer on Wheels



Dalen  
Healthcare

# Enhancing Patient Care Through Technology...

## The Brief

Benenden Hospital, a renowned independent hospital in the UK, implemented a strategic deployment of Mobile Computers on Wheels (COWs) to enhance the efficiency of its Electronic Patient Record (EPR) system. This case study explores the motivation behind the deployment, implementation process, and the impact on clinical operations.

## Key Project Criteria:

- **Enhanced Patient Care:** Real-time access to records enabled clinicians to make informed decisions promptly.
- **Improved Data Accuracy:** Immediate entry of patient information has reduced the potential for errors and enhanced documentation quality.
- **Ergonomic Design:** Adjustable height and lightweight construction for improved user comfort and accessibility.
- **Long Battery Life:** Extended use throughout clinical shifts without frequent recharging (up to 21 hours).



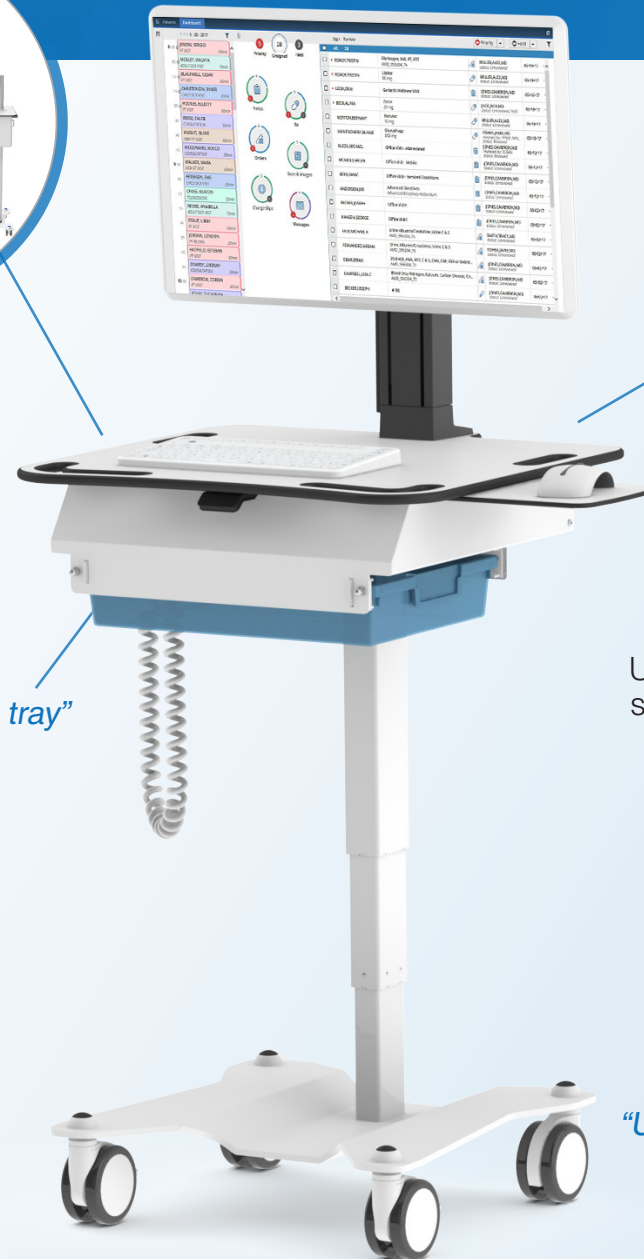
# How did we help?



Ergonomic & fully adjustable

After discussions with the hospital, Dalen Healthcare decided that our All-in-one PC on Wheels would be the ideal solution to best meet the client's needs. This mobile, battery-powered PC cart allows remote access to hospital systems, supporting staff with tasks like EPR data input & collection.

We helped the hospital accommodate additional options to fit their specific accessories; such as a bespoke sharps bin bracket which was designed in house and is made-to-measure for their specific make and model, and depending on the ward, some of the carts required an additional storage tray to support medication administration.



Infection control friendly

*“Optional storage tray”*

*“Wireless connectivity”*

Using an AiO PC ensures seamless integration with the hospital's network

## Implementation Process

The deployment of carts was carried out in a structured manner:

1. **Pilot Testing:** A trial phase was conducted in select wards to assess functionality and address any technical concerns.
2. **Final Specification:** Using our expert design consultancy, the hospital informed us what features they wished to include on the carts, such as electronic height adjustment, an additional storage tray and brackets for sharps bins.
3. **Full-Scale Rollout:** Following successful trials, carts were deployed across all relevant hospital units.



*“Up to 21 hours battery life”*

3x 6000mAh batteries



## Results and Benefits

The implementation of carts goes a long way towards improving the efficiency of everyday hospital operations:

- **Enhanced Patient Care:** Real-time access to records enabled clinicians to make informed decisions promptly.
- **Improved Data Accuracy:** Immediate entry of patient information has reduced the potential for errors and enhanced documentation quality.

## Conclusion

The deployment of Mobile Computer on Wheels at Benenden Hospital has transformed patient care by optimising the use of EPR systems. By providing clinicians with real-time access to data, the hospital has enhanced efficiency and improved overall patient outcomes. This underscores the importance of integrating innovative technology into healthcare settings to streamline operations and enhance patient experiences.

### Looking for a similar solution?

Please get in touch with us today to see how we can help.



Dalen Healthcare

E: [sales@dalenhealthcare.co.uk](mailto:sales@dalenhealthcare.co.uk)

W: [dalenhealthcare.co.uk](http://dalenhealthcare.co.uk)

T: 0121 783 3838



**Dalen Healthcare** is a brand of Dalen Limited

Valepits Road  
Garretts Green  
Birmingham, B33 0TD

T: +44(0)121 783 3838  
E: [sales@dalenhealthcare.co.uk](mailto:sales@dalenhealthcare.co.uk)  
W: [www.dalenhealthcare.co.uk](http://www.dalenhealthcare.co.uk)



Dalen  
Healthcare